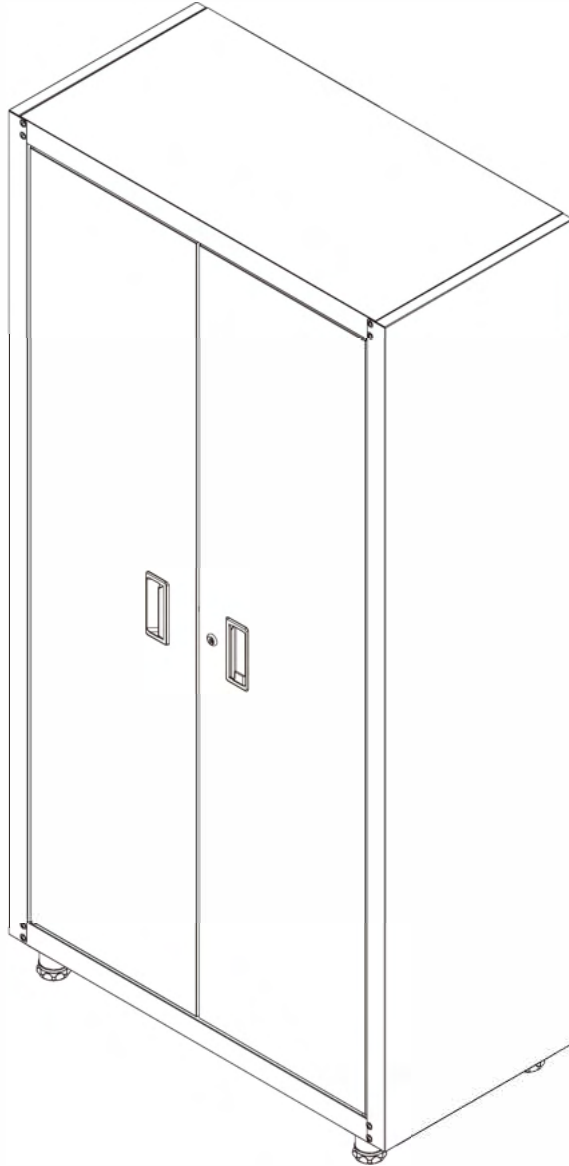


72" 3-Shelf Locker Manual



SAFETY

To reduce the risk of serious injury, read and follow the safety instructions below before assembling and using this product.

- This product is intended for indoor use only.
- This product is not designed for commercial nor industrial usage.
- Keep the product on level surfaces. The product could become unstable and it may tip over if stored or moved on an uneven surface, which may cause personal injury, death or product damage.
- Any assembly or maintenance of the cabinet must be carried out by adults only.
- Use at least two people to move, assemble or install this cabinet. Failure to do so can result in personal injury or product damage.
- Check all nuts and bolts periodically for tightness. When required, tighten them.
- Close and lock the doors before moving this cabinet.
- DO NOT alter this product in any manner. For example, do not weld external bar locks or attach electrical equipment. This may cause product damage or personal injury.
- DO NOT stand on the cabinet and do not use it as scaffold.
- DO NOT leave children unattended near this product. Cabinets may tip over if improperly opened.
- It is always recommended to secure this product to the wall with the anti-tip hardware provided.
- DO NOT put anything on the top panel of this product.
- DO NOT exceed the following weight limits for this product.
 - Maximum load: 450 lb (203 kg)
 - Maximum load for shelf: 100 lb (45 kg)
 - Maximum load for bottom panel: 150 lb (68 kg)

MAINTENANCE

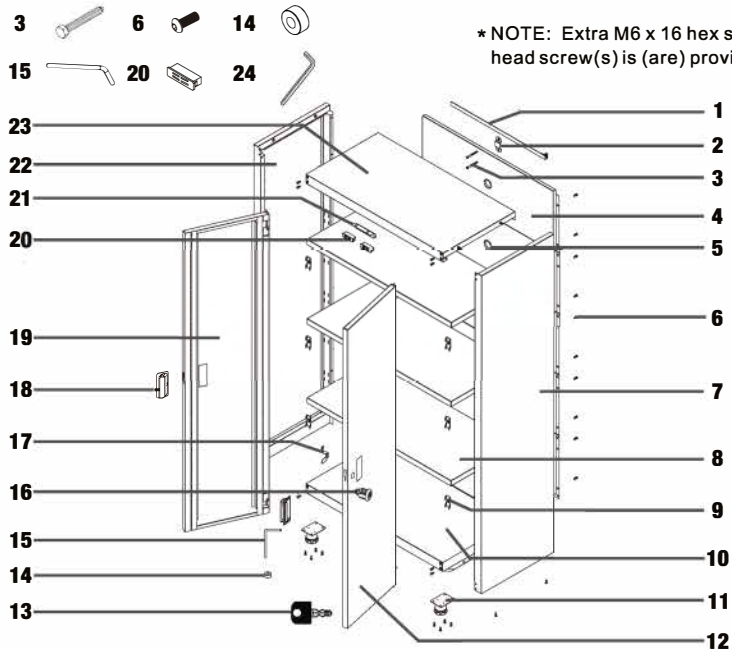
- Periodically clean the surfaces with a soft rag and water.
- Grease and oil can be removed with most standard cleaning fluids. For safety, use a nonflammable cleaning fluid.



- Before assembling and using this product, carefully read this instruction manual and all of the labels affixed to the product. Failure to follow all warnings and instructions may result in product damage or personal injury.
- Save all warnings and instructions for future reference.

PARTS LIST

Ref#	Description	Part#	Qty	Ref#	Description	Part#	Qty
1	Safety strap	314230	1	* 13	Key (C001-C100)	304106	2
2	Safety bracket	212591	1	14	Rubber ring	314219	2
3	M6 x 40 hex tapping bolt	320328	2	15	Pin	237444	4
4	Back panel	113177	5	** 16	Lock (C001-C100)	304071	1
5	Grommet	314027	5	17	Locking hook	236397	1
6	M6 x 16 hex socket head screw*	320327	64	18	Door handle	306018	2
7	Right side panel	117598	1	19	Left door	118093	1
8	Shelf	118443	3	20	Magnet	312033	2
9	Shelf bracket	226078	12	21	Door stopper	117680	1
10	Bottom panel	118591	1	22	Left side panel	117597	1
11	Adjustable foot	313066	4	23	Top panel	117599	1
12	Right door	118094	1	24	Hex wrench	317023	1



	Description	Black/White	Pink
*	Key	304106	304105
**	Lock	304071	304070

ASSEMBLY INSTRUCTIONS

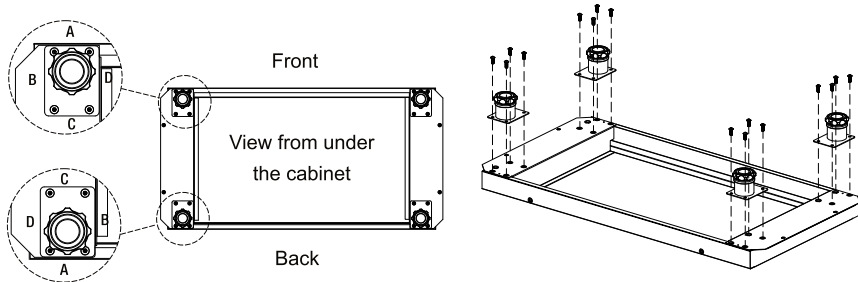
TOOLS REQUIRED FOR ASSEMBLY

- Hex wrench (24)
- Power drill (not included)

NOTE: Assemble on a flat surface. A piece of cardboard is recommended to keep the product from being scratched during assembly.

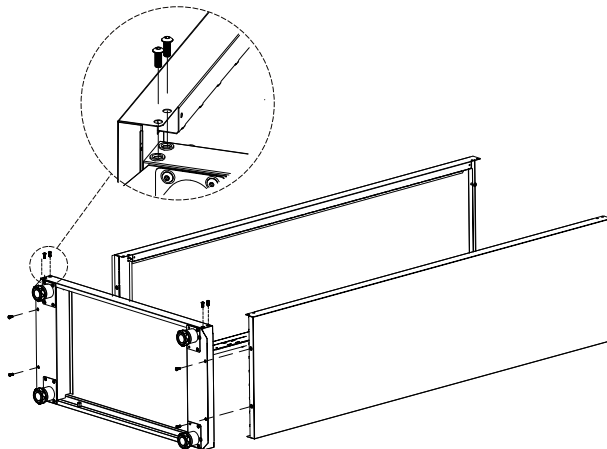
1. INSTALL THE ADJUSTABLE FEET

Install the adjustable feet to the bottom panel. Make sure side A of the adjustable feet are facing either towards the back or the front of the cabinet. Tighten securely with sixteen M6 x 16 hex socket head screws.



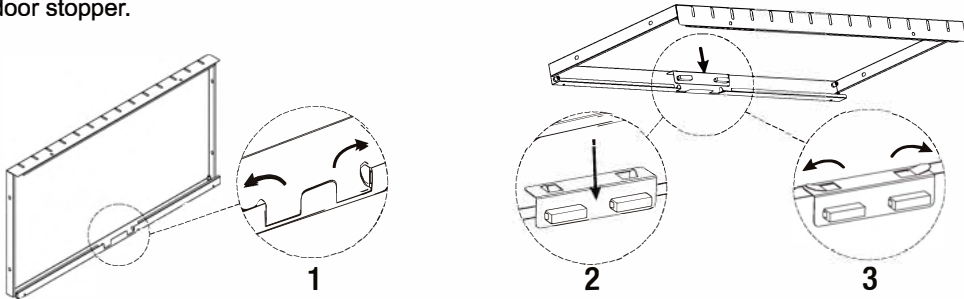
2. ATTACH THE SIDE AND BOTTOM PANELS

Attach the side panels to the bottom panel with eight M6 x 16 hex socket head screws.

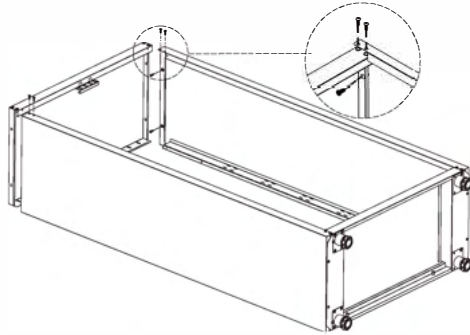


3. ATTACH THE DOOR STOPPER AND THE TOP PANEL

- First press the two trapezoidal taps at the front centre of the top panel inwards by 90 degrees.
- Insert the door stopper onto the two taps. Make sure the magnets are outside of the top panel and face toward the front of the cabinet.
- Finally, bend the two trapezoidal taps of the top panel outwards until they are against the door stopper.



- Attach the top panel to the side panels with eight M6 x 16 hex socket head screws. Insert the screws by hand. **DO NOT** tighten.



4. ATTACH THE BACK PANELS

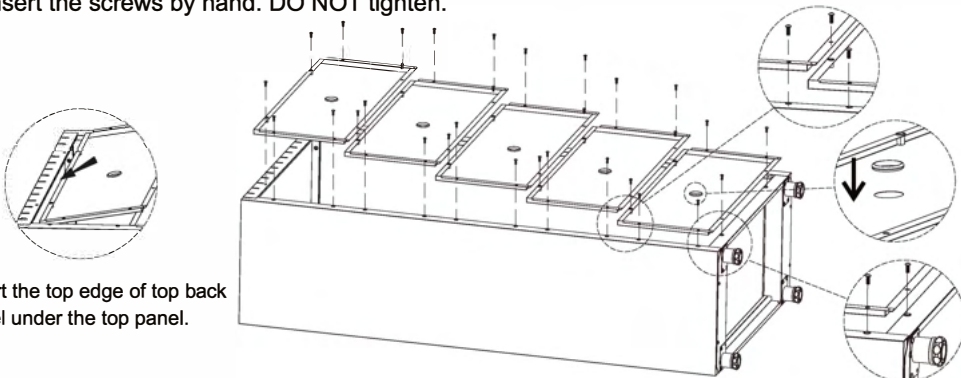


Make sure your floor is free of debris or the cabinet face is protected before laying the cabinet on its face.



The top edge of the top back panel should be inserted under the back of the top panel.

- Lay the cabinet on its face.
- Insert rubber grommets into cut-out holes at the center of the back panels.
- Attach the back panels to the back of the cabinet with thirty-two M6 x 16 hex socket head screws. Insert the screws by hand. **DO NOT** tighten.



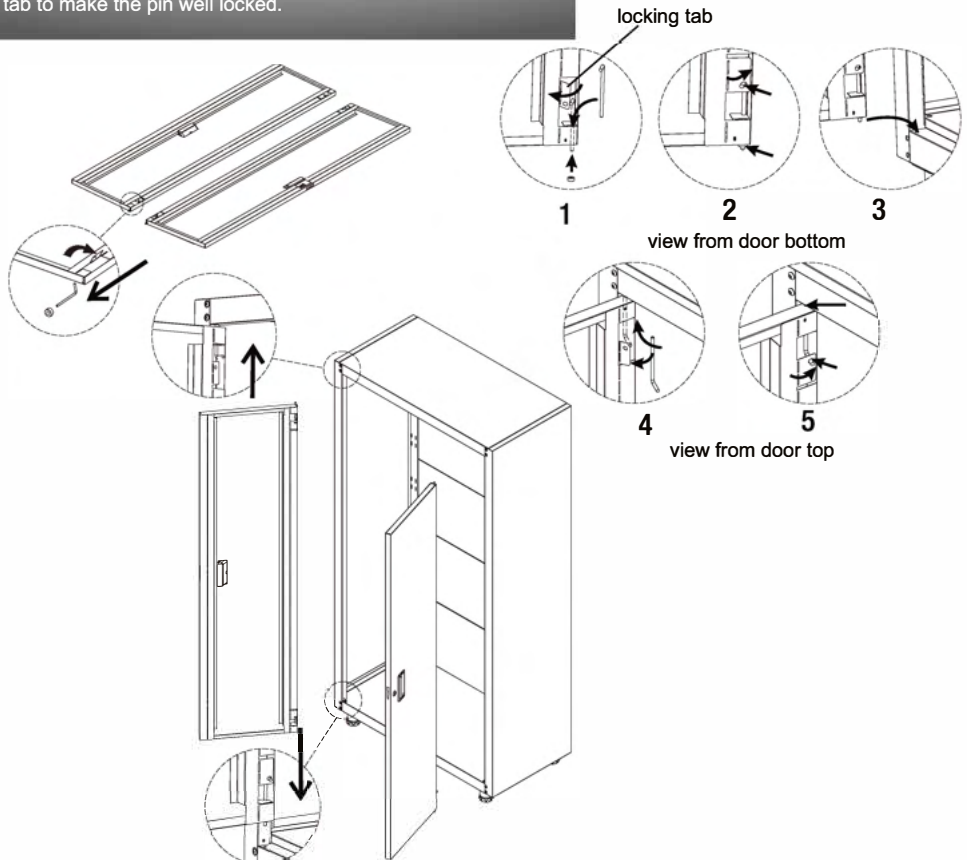
Insert the top edge of top back panel under the top panel.

5. ATTACH THE DOORS

- Lay down the left door on its face with a soft mat underneath. Pull the bottom locking tab at the right bottom corner of the door outwards. Insert a pin through the hole at the door's bottom corner and put a rubber ring into the pin's vertical end.
- Push back the bottom locking tab to its place. Insert the horizontal end of the pin into the hole at the locking tab at the same time.
- Take up the left door and insert the pin into the hole at the left bottom corner of the bottom panel.
- Pull the upper locking tab at the right top corner of the door outwards. Insert a pin through the hole at door's right top corner into the hole at the left top corner of the cabinet.
- Push back the upper locking tab to its place. Insert the horizontal end of the pin into the hole at the locking tab at the same time.
- Repeat the same procedure to install the right door.
- Close the doors to see if the doors can touch the magnets completely. If not, adjust the cabinet's top and side panels to make sure the shape of the cabinet is square and flush. Until the doors can catch the magnets completely, tighten the top and back panels' screws.

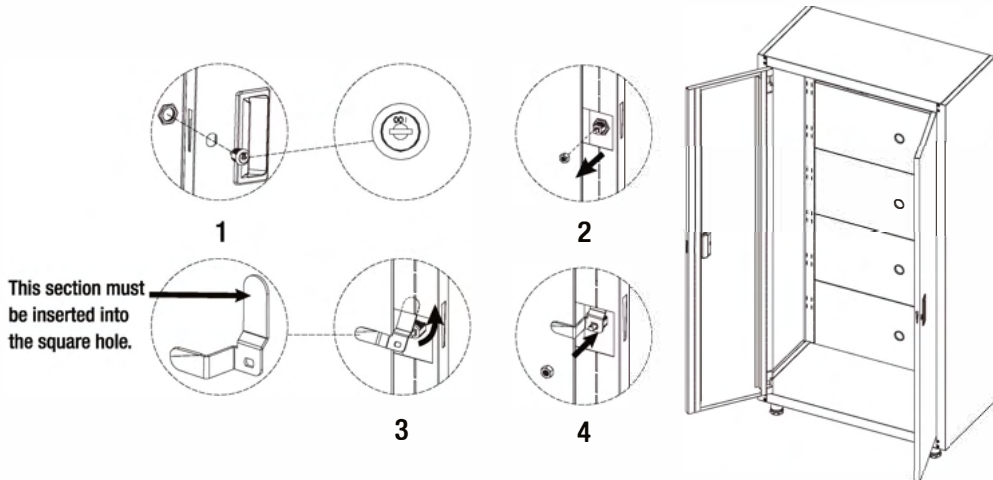


When push the locking tab back to its place, make sure the end of the pin's horizontal part inserted into the hole of the locking tab to make the pin well locked.



6. INSTALL THE LOCKING HOOK

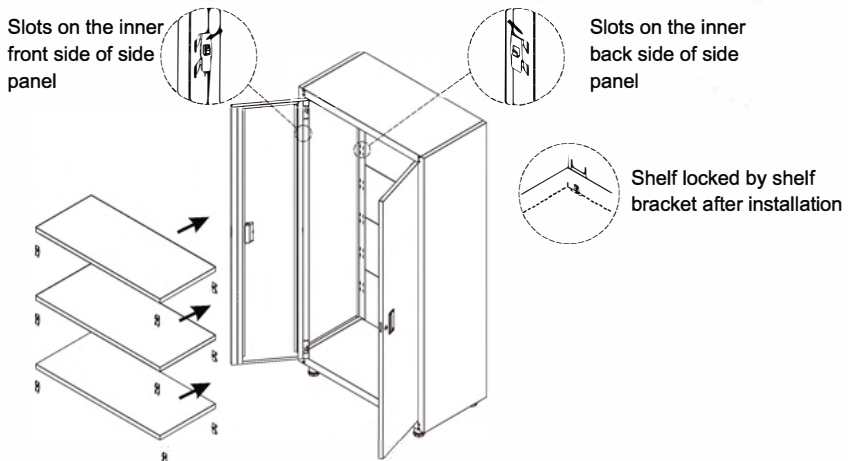
Install the lock per Step 1, ensuring the lock code stays on top of the lock face. Release the nut from the lock back and attach the locking hook per Step 3. Tighten the hook securely with the nut previously removed from the lock back as shown in Step 4.



7. INSTALL THE SHELVES

- Insert twelve shelf brackets into the slots on the side panels at the desired heights. Make sure the four brackets for each shelf are at the same height.
- Place the shelves over the shelf brackets, and push them down onto the shelf brackets. Make sure the shelves are properly and safely locked by the upright hooks of the shelf brackets.

NOTE: To use the locking mechanism, one of the shelves must be placed in the center position.



8. CONNECT THE CABINET TO THE WALL



The M6 x 40 hex tapping bolts should be drilled into the stud of the wall.



The safety bracket's bottom M6 x 40 hex tapping bolt should be 70 3/8" (179 cm) from the floor.

Install the safety bracket to the wall with two M6 x 40 hex tapping bolts.

Fasten the tall cabinet by using the safety strap to tie the tall cabinet and safety bracket together. Tighten securely.

