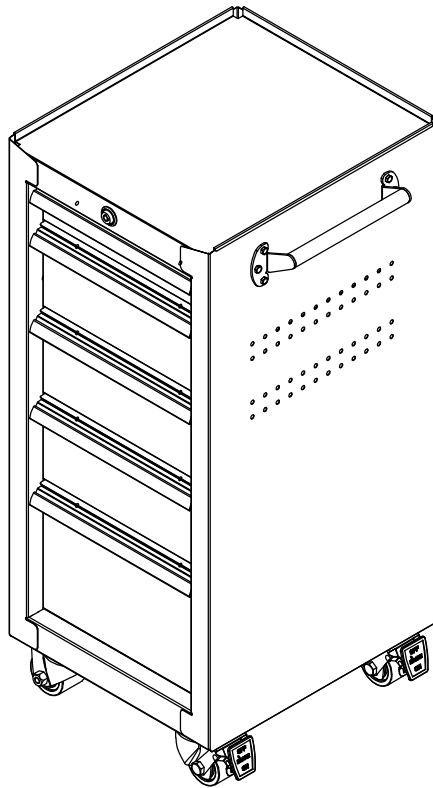


Painted Steel 5-Drawer Station Cart Manual

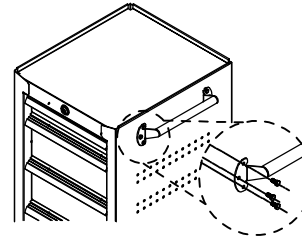


Assemble the handles first to make it easier to remove the tool chest

■ FIRST

INSTALL HANDLE

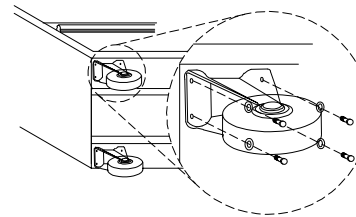
Simply position the handle over the holes and attach with the bolts provided. Tighten securely.



■ SECOND

INSTALL CASTERS

Carefully lay bottom cabinet on its back with a soft mat under the back for protection. Position the two swivel casters on either the left or right side of the bottom of the cabinet. Insert the carriage bolts through washers, then through the casters and into the bottom of the cabinet. Tighten securely. Repeat for the two rigid casters on the other side of the cabinet.



■ TO REMOVE AND REPLACE DRAWERS

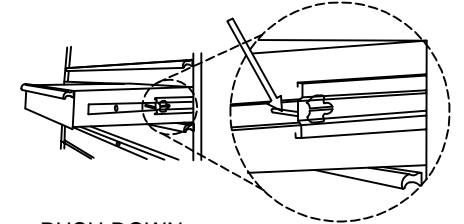
TO REMOVE DRAWERS

Pull drawer out so it's almost fully extended.

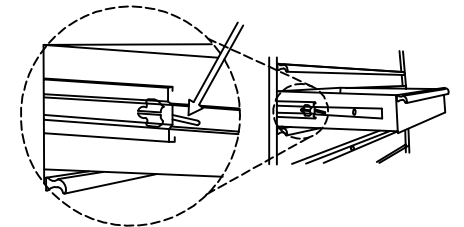
Push up one hand black release lever, while pulling down the other hand black release lever.

While holding the levers in the positions as instructed above, pull the drawer outward until it is released from the drawer slide.

PUSH UP
(ONE HAND SIDE LEVER)



PUSH DOWN
(THE OTHER HAND SIDE LEVER)



TO REPLACE DRAWERS

Extend the drawer slides from the tool chest.

Insert the brackets on each side of the drawer into the slots in the cabinet slides, being careful that they are properly positioned.

Once properly inserted, completely close the drawer to set the slides in their proper positions.

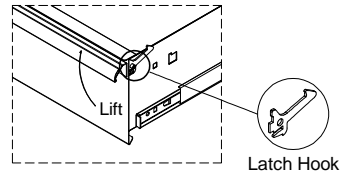
RAISE AND RELEASE DRAWER FRONTS:


These units are equipped with the raise and release drawer fronts.

To open, lift up on the drawer front while pulling towards you.

To close, shut the drawer firmly until the latch engages. If the drawer does not stay closed, the hook may be bent, or it may rub against the drawer slides.

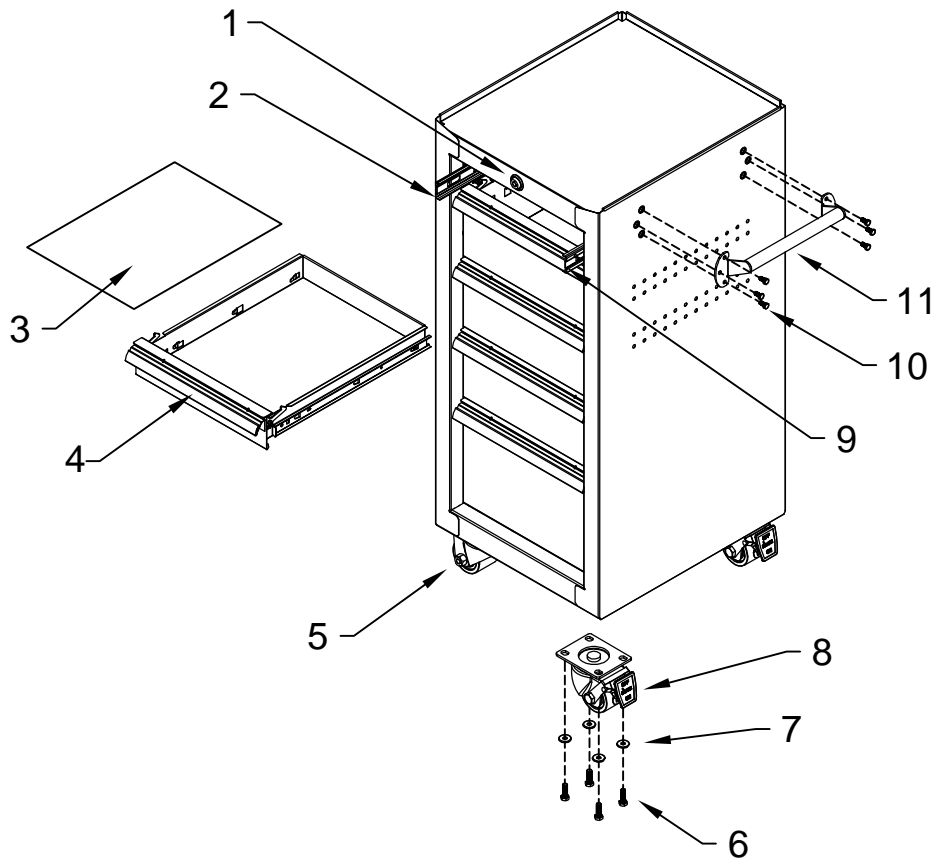
To fix this problem, lightly bend the hook until the drawer will engage in the slide.



 "The keys are taped to the first drawer of the cabinet."

PARTS LIST

Ref#	Description	Part#	QTY
* 1	Lock	304262	1 pc
2	Slide(L)	300022	5 pcs
** 3	Drawer Liner	550470	5 pcs
*** 4	Drawer Pull	3011015	5 pcs
5	Swivel Caster	302260	2 pcs
6	M8x25 Hex Bolt	321047	16 pcs
7	Washer	324002	16 pcs
8	Swivel Caster with brake	302259	2 pcs
9	Slide(R)	300023	5 pcs
10	M6x12 Hex Bolt	321222	6 pcs
**** 11	Cabinet Handle	306071-507	1 pc



NOTE

1. Replacement keys may be ordered, the code which appears on the face of the lock required.
2. Give the information for spare parts: part number and quantity.

Numbers of colored parts:

Description	Blue	Red	Black	White
* Locks	304076	304262	304262	304262
** Drawer Liners	552416	550470	550470	550470
*** Drawer Pull	301241	3011015	3011015	3011015
**** Cabinet Handle	306071	306071-507	306071-507	306071-507