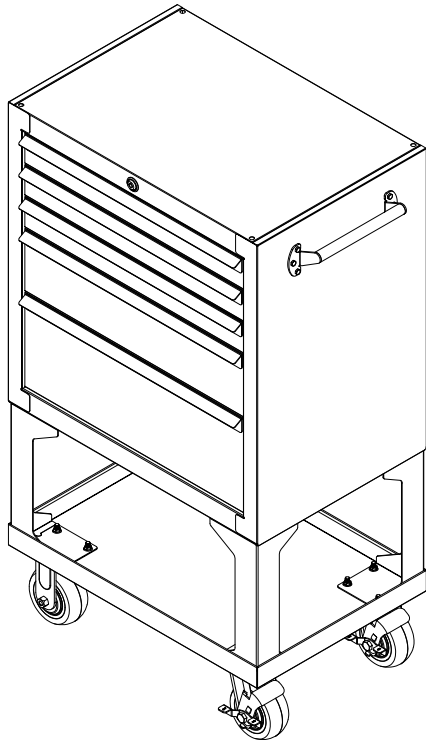


PAINTED STEEL CART MANUAL



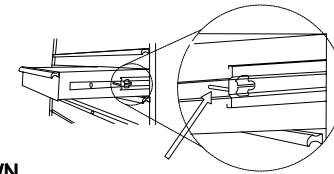
. 1 .

TO REMOVE AND REPLACE DRAWERS

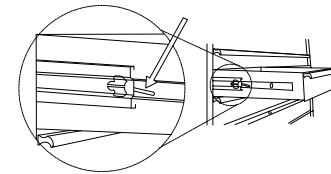
TO REMOVE DRAWERS

Pull drawer out so it's almost fully extended.
Push up one hand black release lever, while pushing down the other hand black release lever. While holding the levers in the positions as instructed above, pull the drawer outward until it is released from the drawer slide.

PUSH UP
(ONE HAND SIDE LEVER)



PUSH DOWN
(THE OTHER HAND SIDE LEVER)




TO REPLACE DRAWERS

Extend the drawer slides from the tool cabinet. Insert the brackets on each side of the drawer into the slots in the cabinet slides, being careful that they are properly positioned. Once properly inserted, completely close the drawer to set the slides in their proper positions.

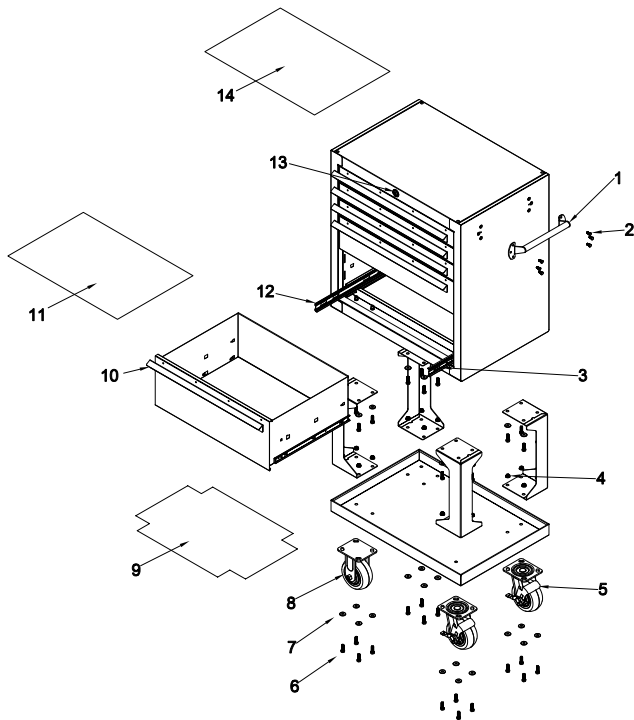
. 2 .

PARTS LIST

ASSEMBLY INSTRUCTIONS

 * The keys are put inside the large drawer.

Ref#	Description	Part#	QTY
1	Side Handle	306071	1 pc
2	M6x12 Hex Bolt	321051	6 pcs
3	Slide(R)	300001	5 pcs
4	M8 Hex Flange Nut	323067	16 pcs
5	Swivel Caster	302000	2 pcs
6	M8x25 Hex Bolt	321047	32 pcs
7	Washer	324002	32 pcs
8	Rigid Caster	302001	2 pcs
9	Liner	552033	1 pc
10	Drawer Handle	238031	5 pcs
11	Drawer Liner	552032	5 pcs
12	Slide(L)	300000	5 pcs
13	Lock	304071	1 pc
14	Till Liner	552044	1 pc



NOTE

1. Replacement keys may be ordered, the code which appears on the face of the lock required.
2. Give the information for service parts: part number, and quantity.

