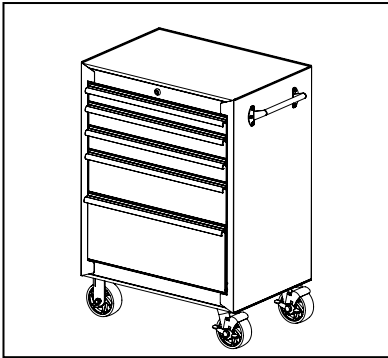


CABINETS

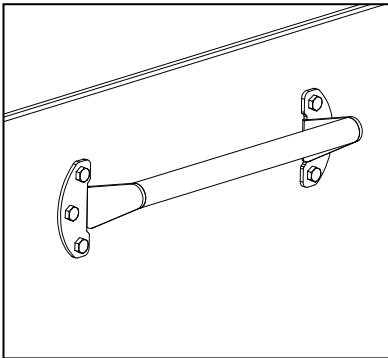


CABINETS

Locking mechanism used on cabinets is engaged by rotating cam lock with a key.

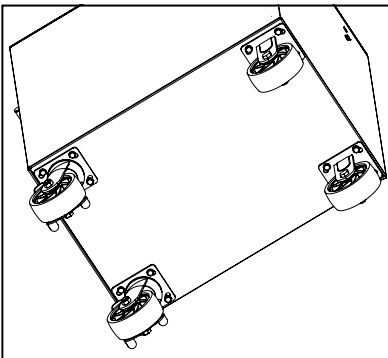


Drawers should be fully closed before locking mechanism is engaged. If drawers are not fully closed when locking mechanism has been engaged, just close it and it will be locked automatically.



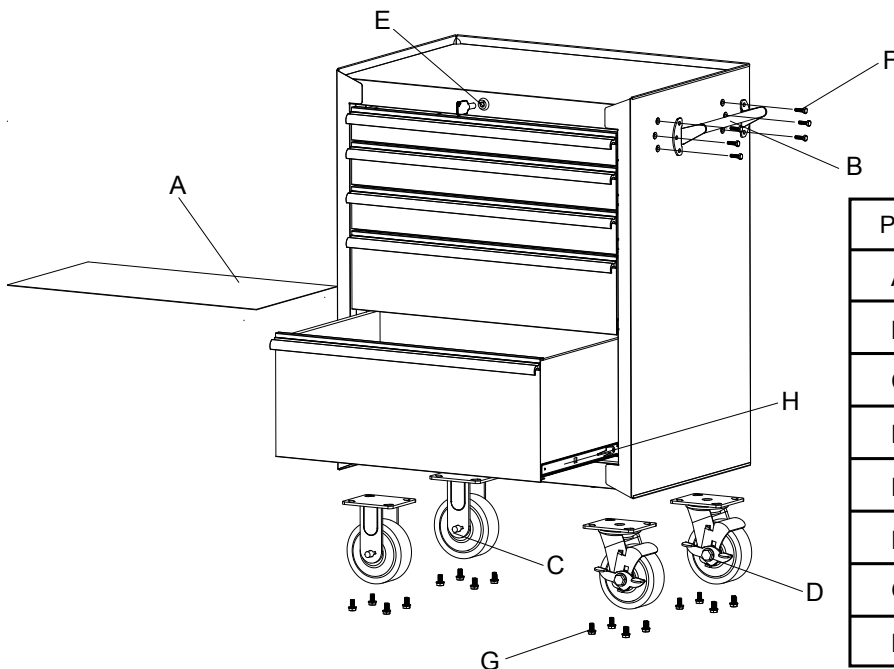
SIDE HANDLE

Fixed the side handle with screws

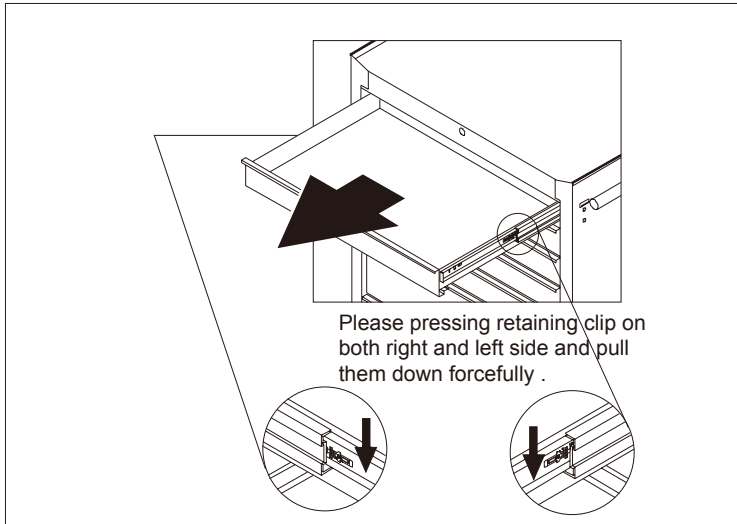
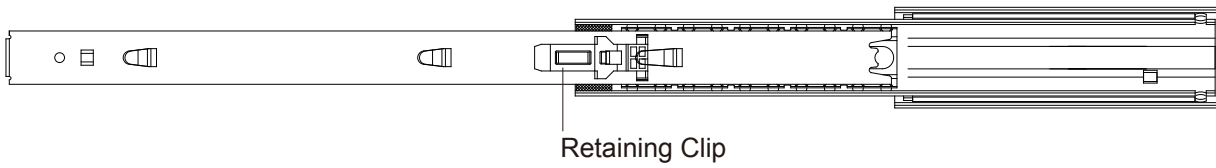


CASTER

- a. Fixed casters, swivel casters.
- b. swivel casters must be fixed on the same side.

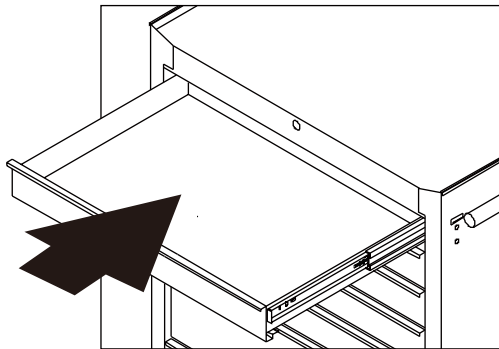


Part	Description	Part#	Quantity
A	Drawer liner	9-F73-UATQ26AA05	5
B	Cabinet handle	9-04-UAT26DA	1
C	Fixed caster	9-10-UAT26DA-1	2
D	Swivel caster	9-10-UAT26DA-2	2
E	Lock & Key	9-07-02L	1
F	M6x12 hex bolt	9-12-UAT26DA	6
G	M8x25 hex bolt	9-12-UAT-H-3	16
H	Slider	9-13-16Y-1	10



HOW TO REMOVE DRAWERS

Each drawer slider has a black retaining clip. To remove drawer, retaining clips on sliders need to be released by pressing them (Left side of sliders and right side of sliders) and pull down at the same time, and slide out the drawer.



HOW TO INSTALL DRAWERS ?

Pull the slide out and then match the track to push in.



ATTENTION:

1. When installing the drawer, it is normal that you feel tension when pushing in the drawer.
2. Please push the drawer into the end and pull out for 2-3 times to check whether the drawer moves smoothly or not.
 - a. If the drawer is tight or blocked, it means you are failed to install the drawer, please take out the drawer and install again.
 - b. If the drawer moves smoothly, it means you correctly installed the drawer.

LUBRICATION

It is important for the smooth operation of sliders to lubricate them periodically with light grease . This should be done at least twice a year or more frequently depending on usage.

For warranty registration or replacement parts, please visit our website at WWW.TheOriginalPinkBox.com