

PB
20  **X 2**
VOLT

THE ORIGINAL
PINK BOX

INSTRUCTION MANUAL

Cordless/Brushless 20Volt Li-Ion BLOWER

Part Number: PB20VBLW

IMPORTANT: Read before using.



IMPORTANT NOTE:
Requires 2 x 20 Volt
Batteries to Operate
(Not Included)



Compatible Batteries:
PB20VLIB2 Battery (2.0 Ah)
& PB20VLIB4 Battery (4.0 Ah)

www.theoriginalpinkbox.com



Keep these instructions with the accompanying tool for the life of the tool. Read all of the instructions before assembling, operating or maintaining this tool.

This manual has been compiled by **The Original Pink Box** Tools describing the purpose for which this tool has been designed, and contains all the necessary information to ensure its correct and safe use. By following all the general safety instructions contained in this manual, it will ensure both tool and operator safety, together with longer life of the tool itself.

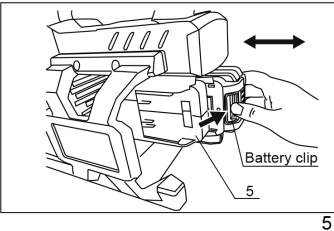
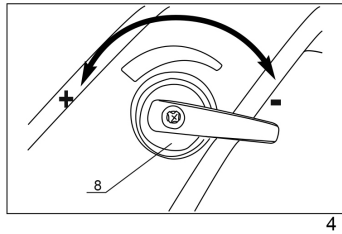
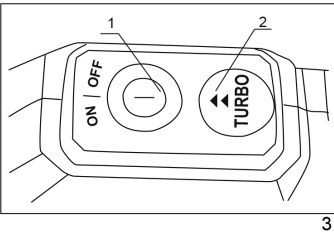
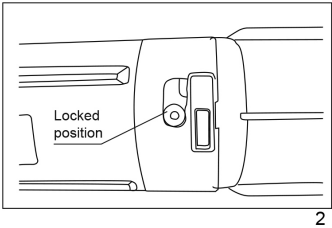
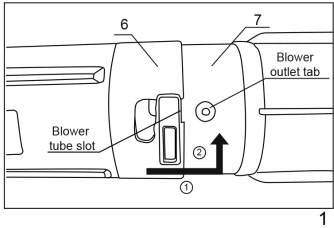
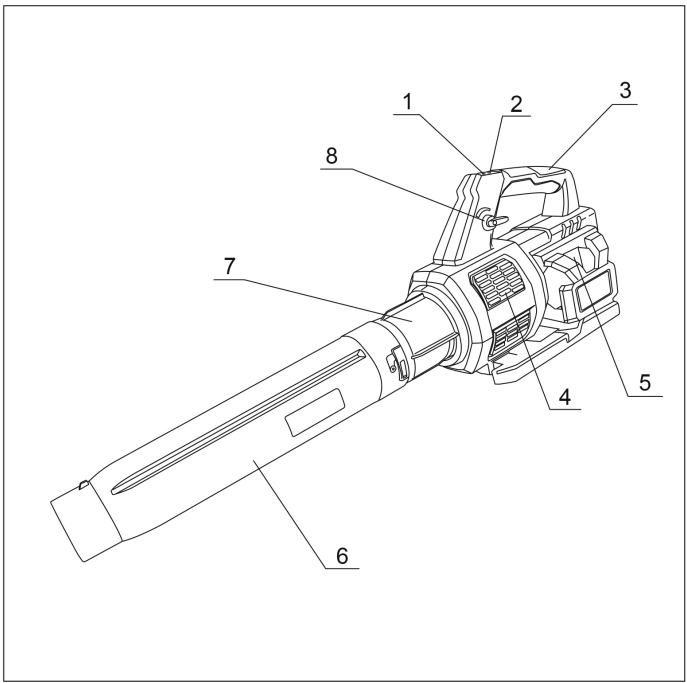
All photographs and drawings in this manual are supplied by **The Original Pink Box** Tools to help illustrate the operation of the tool.

Whilst every effort has been made to ensure the accuracy of information contained in this manual, **The Original Pink Box** Tools policy of continuous improvement determines the right to make modifications without prior warning.



**Compatible Batteries: PB20VLIB2 Battery (2.0 Ah)
& PB20VLIB4 Battery (4.0 Ah)**

www.theoriginalpinkbox.com



1. ON / OFF switch
2. Turbo speed switch
3. Handle
4. Air intake vent
5. Battery connection port
6. Blower tube
7. Blower outlet
8. Variable speed adjust lever

To ensure your safety and satisfaction, carefully read through this OWNER'S MANUAL before using the product.

General Power Tool Safety Warnings

⚠ WARNING! Read all safety warnings and all instructions.

Failure to follow the warnings and instructions may result in electric shock, fire and/or serious injury.

Save all warnings and instructions for future reference.

The term "power tool" in the warnings refers to your mains-operated (corded) power tool or battery-operated (cordless) power tool.

1) Work area safety

- a) **Keep work area clean and well lit.** Cluttered or dark areas invite accidents.
- b) **Do not operate power tools in explosive atmospheres, such as in the presence of flammable liquids, gases or dust.** Power tools create sparks which may ignite the dust or fumes.
- c) **Keep children and bystanders away while operating a power tool.** Distractions can cause you to lose control.

2) Electrical safety

- a) **Power tool plugs must match the outlet. Never modify the plug in any way. Do not use any adapter plugs with earthed (grounded) power tools.** Unmodified plugs and matching outlets will reduce risk of electric shock.
- b) **Avoid body contact with earthed or grounded surfaces such as pipes, radiators, ranges and refrigerators.** There is an increased risk of electric shock if your body is earthed or grounded.
- c) **Do not expose power tools to rain or wet conditions.** Water entering a power tool will increase the risk of electric shock.
- d) **Do not abuse the cord. Never use the cord for carrying, pulling or unplugging the power tool. Keep cord away from heat, oil, sharp edges or moving parts.** Damaged or entangled cords increase the risk of electric shock.
- e) **When operating a power tool outdoors, use an extension cord suitable for outdoor use.** Use of a cord suitable for outdoor use reduces the risk of electric shock.
- f) **If operating a power tool in a damp location is unavoidable, use a residual current device (RCD) protected supply.** Use of an RCD reduces the risk of electric shock.

3) Personal safety

- a) **Stay alert, watch what you are doing and use common sense when operating a power tool. Do not use a power tool while you are tired or under the influence of drugs, alcohol or medication.** A moment of inattention while operating power tools may result in serious personal injury.
- b) **Use personal protective equipment. Always wear eye protection.** Protective equipment such as dust mask, non-skid safety shoes, hard hat, or hearing protection used for appropriate conditions will reduce personal injuries.
- c) **Prevent unintentional starting. Ensure the switch is in the off-position before connecting to power source and/or battery pack, picking up or carrying the tool.** Carrying power tools with your finger on the switch or energising power tools that have the switch on invites accidents.
- d) **Remove any adjusting key or wrench before turning the power tool on.** A wrench or a key left attached to a rotating part of the power tool may result in personal injury.
- e) **Do not overreach. Keep proper footing and balance at all times.** This enables better control of the power tool in unexpected situations.

- f) **Dress properly. Do not wear loose clothing or jewelry. Keep your hair, clothing and gloves away from moving parts.** Loose clothes, jewellery or long hair can be caught in moving parts.
- g) **If devices are provided for the connection of dust extraction and collection facilities, ensure these are connected and properly used.** Use of dust collection can reduce dust-related hazards.

4) Power tool use and care

- a) **Do not force the power tool. Use the correct power tool for your application.** The correct power tool will do the job better and safer at the rate for which it was designed.
- b) **Do not use the power tool if the switch does not turn it on and off.** Any power tool that cannot be controlled with the switch is dangerous and must be repaired.
- c) **Disconnect the plug from the power source and/or the battery pack from the power tool before making any adjustments, changing accessories, or storing power tools.** Such preventive safety measures reduce the risk of starting the power tool accidentally.
- d) **Store idle power tools out of the reach of children and do not allow persons unfamiliar with the power tool or these instructions to operate the power tool.** Power tools are dangerous in the hands of untrained users.
- e) **Maintain power tools. Check for misalignment or binding of moving parts, breakage of parts and any other condition that may affect the power tool's operation.** If damaged, have the power tool repaired before use. Many accidents are caused by poorly maintained power tools.
- f) **Keep cutting tools sharp and clean.** Properly maintained cutting tools with sharp cutting edges are less likely to bind and are easier to control.
- g) **Use the power tool, accessories and tool bits etc. in accordance with these instructions, taking into account the working conditions and the work to be performed.** Use of the power tool for operations different from those intended could result in a hazardous situation.

5) Battery tool use and care

- a) **Recharge only with the charger specified by the manufacturer.** A charger that is suitable for one type of battery pack may create a risk of fire when used with another battery pack.
- b) **Use power tools only with specifically designated battery packs.** Use of any other battery packs may create a risk of injury and fire.
- c) **When battery pack is not in use, keep it away from other metal objects, like paper clips, coins, keys, nails, screws or other small metal objects, that can make a connection from one terminal to another.** Shorting the battery terminals together may cause burns or a fire.
- d) **Under abusive conditions, liquid may be ejected from the battery; avoid contact.** If contact accidentally occurs, flush with water. If liquid contacts eyes, additionally seek medical help. Liquid ejected from the battery may cause irritation or burns.

6) Service

- a) **Have your power tool serviced by a qualified repair person using only identical replacement parts.** This will ensure that the safety of the power tool is maintained.



Compatible Batteries:
PB20VL1B2 Battery (2.0 Ah)
& PB20VL1B4 Battery (4.0 Ah)

www.theoriginalpinkbox.com

INSTRUCTIONS FOR SAFE HANDLING

1. Make sure that the tool is only connected to the voltage marked on the name plate.
2. Never use the tool if its cover or any bolts are missing. If the cover or bolts have been removed, replace them prior to use. Maintain all parts in good working order.
3. Always secure the tool when working in elevated positions.
4. Never touch the blade, drill bit, grinding wheel or other moving parts during use.
5. Never start the tool when its rotating component is in contact with the work piece.
6. Never lay the tool down before its moving parts have come to a complete stop.
7. **ACCESSORIES :**
The use of accessories or attachments other than those recommended in this manual might present a hazard.
8. **REPLACEMENT PARTS :**
When servicing use only identical replacement parts.

BLOWER SAFETY PRECAUTIONS

1. Wear a face filter mask in dusty conditions to reduce the risk of injury associated with the inhalation of dust.
2. Slightly dampen surfaces in dusty conditions.
3. Do not use the product near open windows.
4. Use the full blower nozzle extension so that the air stream can work close to the ground and perform effectively.
5. Do not point the blower nozzle in the direction of people or pets.
6. Never place objects inside the blower tubes.
7. Do not place the product on top of or near loose debris. Debris can be sucked into the intake vent, resulting in possible damage to the product.
8. Do not place the product on top of or near loose debris. Debris can be sucked into the intake vent, resulting in possible damage to the product.

DESCRIPTION

1. On/Off switch
2. Turbo speed switch
3. Handle
4. Air intake vent
5. Battery connection port
6. Blower tube
7. Blower outlet
8. Variable speed adjust lever

SPECIFICATIONS

Battery	2 x 20V, Li-ion
Air speed (normal mode)	83-155 km/h
Max air speed (turbo mode)	170km/h
Air volume (normal mode)	356-557m ³ /h
Max air volume (turbo mode)	775m ³ /h
Rotation speed (normal mode)	12,500-21,500min ⁻¹
Max rotation speed (turbo mode)	24,200min ⁻¹
Net weight	2.8kg

ASSEMBLY

ATTACHING THE BLOWER TUBE (Fig. 1, 2)

Align the widest end of the blower tube (6) with the front opening on the blower outlet (7). Slide the blower tube over blower outlet, lining up the blower tube slot with the blower outlet tab. Rotate the blower tube clockwise to lock into place.

OPERATION

WARNING!

To avoid serious injury and property damage: Inspect the area before using the blower. Remove all hard objects from work area. Do not blow debris in the direction of people, animals or property.

STARTING/STOPPING THE BLOWER (Fig. 3)

Hold the blower with your preferred hand, with the tube several centimeters off the ground. Press and hold down the On/Off switch (1) to start the blower, and then release it once the blower has started.

Press and hold the TURBO speed switch (2), to increase air speed. Release the TURBO speed switch to resume normal air speed.

To stop the blower press the On/Off switch.

TURBO SPEED MODE (Fig. 3)

Press and hold the TURBO speed switch (2) to increase air speed. Release it to resume normal air speed..

VARIABLE AIR SPEED (FIG. 4)

Rotate the variable speed adjust lever anti-clockwise to increase air speed, or rotate it clockwise to decrease air speed.

OPERATING THE BLOWER

WARNING!

Battery tools are always in operating condition. Therefore, switch should always be in the OFF position when not in use or carrying at your side. To keep from scattering debris, blow around the outer edges of a debris pile. Never blow directly into the centre of a pile.

To reduce sound levels, limit the number of pieces of equipment used at any one time.

Use rakes and brooms to loosen debris before blowing. In dusty conditions, slightly dampen surfaces when water is available.

Conserve water by using power blowers instead of hoses for many lawn and garden applications, including areas such as gutters, screens, patios, grills, porches, and gardens.

Watch out for children, pets, open windows, or freshly washed cars, and blow debris safely away.

After using blowers or other equipment, clean up! Dispose of debris properly.

CHARGING BATTERY PACK (NOT INCLUDED)

Read and Follow all warnings and instructions in owner's manual of the PB20VLIB2 Battery (2.0 Ah) & PB20VLIB4 Battery (4.0 Ah)

INSTALLING AND REMOVING BATTERY PACK (Fig. 5)

WARNING!

Always remove the battery packs from your tool when you are assembling parts, making adjustments, cleaning, carrying, transporting or when not in use. Removing the battery packs will prevent accidental starting that could cause serious personal injury.

To install battery pack, align the battery connection port (5) with the groove in the battery pack and push in the direction of the arrow until the battery pack is secured on the tool.

Repeat this procedure for the second battery.

To remove the battery pack from the tool, push the battery clip on and remove the battery pack in the direction of the arrow.

MAINTENANCE

WARNING!

When servicing, use only identical replacement parts. Use of any other parts may create a hazard or cause product damage.

WARNING!

Always wear safety goggles or safety glasses with side shields during power tool operation or when blowing dust. If operation is dusty, also wear a dust mask.

WARNING!

To avoid serious personal injury, always remove the battery pack from the product when cleaning or performing any maintenance.

Avoid using solvents when cleaning plastic parts. Most plastics are susceptible to damage from various types of commercial solvents and may be damaged by their use. Use clean cloths to remove dirt, dust, oil, grease, etc.

WARNING!

Do not at any time let brake fluids, gasoline, petroleum-based products, penetrating oils, etc., come in contact with plastic parts. Chemicals can damage, weaken or destroy plastic which may result in serious personal injury.

Only the parts shown on the parts list are intended to be repaired or replaced by the customer. All other parts should be replaced at an Authorised Service Centre.

STORAGE

Clean all foreign material from the blower. Store indoors in a place that is inaccessible to children. Keep away from corrosive agents such as garden chemicals and de-icing salts.



Compatible Batteries:
PB20VLIB2 Battery (2.0 Ah)
& **PB20VLIB4 Battery (4.0 Ah)**

www.theoriginalpinkbox.com