

PB
20
VOLT

—THE ORIGINAL—
PINK BOX®

INSTRUCTION MANUAL

Cordless/Brushless 20Volt Li-Ion STAPLE/NAIL GUN

Part Number: PB20VNG

IMPORTANT: Read before using.



Compatible Batteries:
PB20VLIB2 Battery (2.0 Ah)
& PB20VLIB4 Battery (4.0 Ah)

www.theoriginalpinkbox.com



Keep these instructions with the accompanying tool for the life of the tool. Read all of the instructions before assembling, operating or maintaining this tool.

This manual has been compiled by **The Original Pink Box** Tools describing the purpose for which this tool has been designed, and contains all the necessary information to ensure its correct and safe use. By following all the general safety instructions contained in this manual, it will ensure both tool and operator safety, together with longer life of the tool itself.

All photographs and drawings in this manual are supplied by **The Original Pink Box** Tools to help illustrate the operation of the tool.

Whilst every effort has been made to ensure the accuracy of information contained in this manual, **The Original Pink Box** Tools policy of continuous improvement determines the right to make modifications without prior warning.

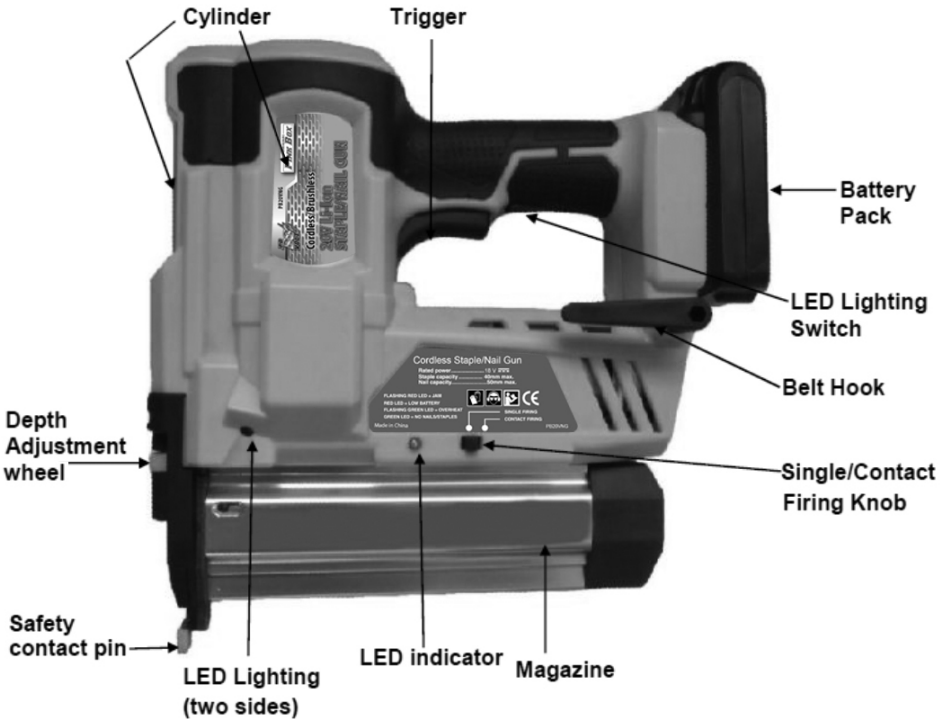
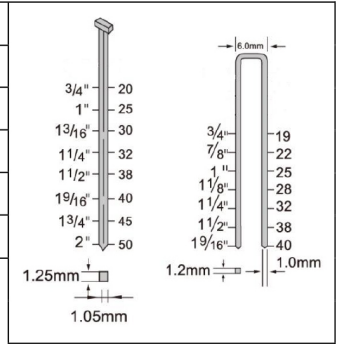


**Compatible Batteries: PB20VLIB2 Battery (2.0 Ah)
& PB20VLIB4 Battery (4.0 Ah)**

www.theoriginalpinkbox.com

TECHNICAL DATA

Model	PB20VNG
Firing Speed	Average 60nails/min ; Max 100nails/ min
Max Magazine capacity	Holds up to 100nails/staples
Max length of nails	50mm 18 Gauge Brad Nail
Max length of Staples	40mm 18 Gauge light duty staple
Overall Dimensions:	292x259x94mm



Important Safety Rules

- a) **Keep work area clean and well lit.** Cluttered and dark areas invite accidents.
- b) **Avoid dangerous environments.** Do not operate power tools in explosive atmospheres, such as in the presence of flammable liquids, gases or dust. Power tools create sparks which may ignite the dust or fumes.
- c) **Keep children and bystanders away while operating a power tool.** Distractions can cause you to lose control.
- d) **Keep the tool pointed away from yourself** and others at all time and keep hands, any body parts away rear area to Safety guard against possible injury.
- e) **Use safety equipment. Always wear eye protection and ear protection.** Safety equipment such as dust mask, non-skid safety shoes, hard hat, or hearing protection used for appropriate conditions.
- f) **Power tool plugs must match the outlet. Never modify the plug in any way. Do not use any adapter plugs with earthed (grounded) power tools.** Unmodified plugs and matching outlets will reduce risk of electric shock.
- g) **Do not keep the trigger or safety depressed** during loading fasteners or the unintentional firing of a fastener would cause personal injury.
- h) **Disconnect the tool from the power source before making any adjustments, changing accessories, or storing power tools.** Such preventive safety measures reduce the risk of starting the power tool accidentally.
- i) **Do not fire if the nails/staples are jammed.** This will cause damage to the driver blade and could invite accidents.

- j) **DO NOT use on hard surface** such as rock, concrete, masonry, bricks or steel. Person injury or damage to the power tool could result.
- k) **Do not drive fasteners close to the edge of the work piece.**
- l) **Do not drive fasteners on top of nailed fastener.**
- m) **Only use parts and accessories** recommended by manufacturer.

BATTERY TOOL USE, CHARGING AND CARE

- a) **Recharge only with the charger and the battery packs specified by the manufacturer. ***
- b) **Ensure the switch is in the off position before inserting battery pack.**
- c) **Do not open the battery.** Danger of short-circuiting.
- d) **Protect the battery against heat, e.g., also against continuous sun irradiation and fire.** There is danger of explosion.
- e) **Do not short-circuit the battery.** There is danger of explosion.
- f) **Battery leakage (liquid ejection).** Under abusive conditions, liquid may be ejected from the battery; avoid contact. If contact accidentally occurs, flush with water. If liquid contacts eyes, flush them with clean water for at least 10 minutes, then seek immediate medical attention. Liquid ejected from the battery may cause irritation or burns.
- g) **Care when charging.** Make sure cord for the charger is located so that it will not be stepped on, tripped over, or otherwise subjected to damage or stress. Do not operate charging system with damaged cord or plug.
- h) **Battery recycling and disposing.** All batteries must be recycled or disposed of properly (see section on Environment).

*** Compatible Batteries:** PB20VLIB2 Battery (2.0 Ah)
PB20VLIB4 Battery (4.0 Ah)
Compatible Charger: PB20VLIC
Purchase at: www.theoriginalpinkbox.com

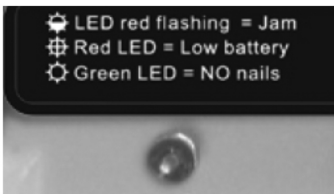
Intended Use

The machine is intended for tacking of cardboard, insulating material, fabric, foils, leather and similar materials on surfaces of wood or materials similar to wood. The machine is not suitable for the attachment of wall .

LED INDICATOR:

LED Functions of power tool and charger, LED will be on to indicate status of power tool and charger:

Power tool:



LED Red on=low battery

LED Red flashing=the nails/staples are jammed.

LED Green on=No nails, power tool in dry fire protection

LED Green flashing=Overheat,power tool in overheat protection

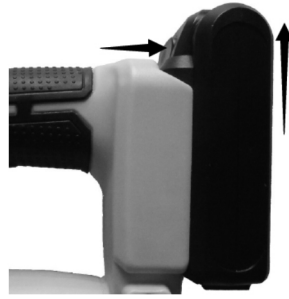
Charger:

Red LED on=battery charging.

Green LED on=battery fully charged.



(image a)



(image b)

LED Lighting

2pcs Led lighting in each side can be turned on when the machine is working

Checking the contact trip mechanism

Remove all staples or nails from the magazine.

Press the safety nose/contact pin and pull the trigger. The safety nose/contact pin and the trigger should move freely.

Reload the staples or nails to the magazine.

Do not use the tool if the safety nose/contact pin cannot move freely.

Place the contact pin on the workpiece and press the machine without pulling the trigger, the machine should not fire ; Take the machine from the workpiece, the contact pin should spring back automatically.

Pull the trigger, The machine should not fire.

Inserting Staples or Nails into the magazine

NOTE: The number of staples or nails left in the magazine can be read using the viewing window.

a) Remove battery pack from the tool.

b) Press the release button and pull out the magazine cover.

c) Tilt the tool and place nails/staples into the track of the magazine channel.

Make sure that the fasteners are placed correctly:

- Staples are placed against the profiled side of the rail, the crown of the staple is in the uppermost part of the magazine (legs are facing away from the body of the tool).
- Nails are placed against the profiled side of the rail, with the points of the nails facing downwards.

d) Close the magazine cover until it engages with the release button.

e) Reattach battery pack to tool.

Warning: Do not place fasteners of different length. Do not place staples and nails mixed together.

A. Loading staples:



B. Loading nails:



Instructions for use

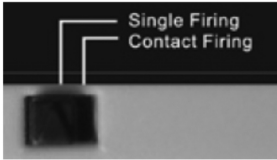
Prior to operation make sure your battery pack is fully charged.

Check whether the fasteners are placed in the magazine correctly.

Nailing or Stapling

Hold handle firmly with magazine flat to work piece forming a 90° Angle.

Two modes of firing: Single Firing and Contact Firing



1) Single Firing Mode:

Push the drive shift (single/contact firing knob) to left side, it is on Single Firing mode . Single Firing is good for precision placement .

Step 1: Push the drive shift to left side



Step 2: Depress the safety contact pin against the work piece



Step 3: Squeeze the trigger to fire the staple or nail ; Released the trigger and safety contact pin after firing .



Firing next staple or nail, repeat step 2 and step 3

The safety contact pin must be depressed before the trigger is squeezed.

2) Contact Firing Mode:

Push the drive shift (single/contact firing knob) to right side, it is on Contact Firing mode.

Contact Firing is good for conveniently and quickly firing.

Step 1: Push the drive shift to right side



Step 2: Squeeze the trigger , keep squeezing and don't release



Step 3: Depress the safety contact pin against the work piece to fire the nail or staple; Keep squeezing the trigger all the time but released safety contact pin after firing



Firing next staple or nail , repeat step 3

The trigger must be keep squeezing all the time during the safety contact pin is being depressed time by time


Do not keep the trigger depressed when the tool is not in use, to prevent accidental firing when the tool is not in use.

A significantly reduced working period after charging indicated that the battery is used and must be replaced.

Depth Adjustment Wheel

Depth adjustment helps protect work surface and allows proper setting of nail heads



Turn the depth adjustment wheel towards to , the nail/staple will be fired into wood much more depth ;

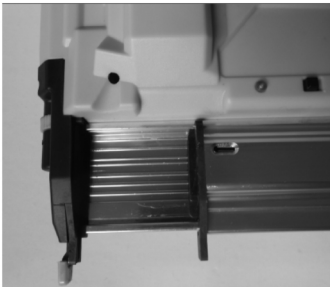
Turn the wheel towards to , the nail/staple will be fired into wood in less depth.

Removing a jammed nail or staple

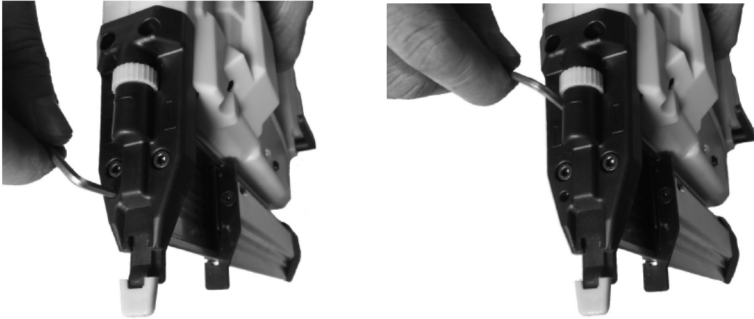
Note: You must remove any jammed nail/staple before using the tool any further. Otherwise, it could cause damage to the mechanism.

Remove the battery pack from the tool.

Open the magazine, remove the staples or nails in channel. Then, to remove the jammed fasteners.



If the fasteners remain jammed after following the above instructions, slightly loosen the hex screws upon the nosepiece with the wrench provided then remove the jammed fasteners pieces (see bellowing photo, just loose these two screws , not loose other screws, don't remove the whole nozzle cover)



Remove the jammed nail with pliers if necessary. After the jammed nail has been successfully removed , then re-tighten the nose piece with hex screws securely.

Reload on the staples/nails, close the magazine, then insert on the battery to shot . If still not shot, open the magazine, remove staples/nails, keep opening the magazine to shot one or two times , then load on staples/nails ,close the magazine to shot , will be ok .

Do not dispose of power tools into household waste !
Recycle unwanted materials instead of disposing them as waste.

Battery packs/ batteries Recycling: Li-ion Battery.

The battery packs are built to the highest quality standards, they can be re-charged again and again, ensuring that your tool performs with full efficiency. However, rechargeable batteries eventually need to be replaced. When this happens, it is important not to discard your old

battery tool or battery pack in a hazardous manner. To preserve natural resources, please recycle or dispose of batteries properly. These battery packs should be collected, recycled or disposed of in an environmental-friendly manner.

Warning: Do not attempt to destroy or disassemble battery pack or remove any of its components. Also, never touch the battery terminals with metal objects and/or body parts as short circuit may result. Keep away from children.



Compatible Batteries:
PB20VLIB2 Battery (2.0 Ah)
& PB20VLIB4 Battery (4.0 Ah)

www.theoriginalpinkbox.com