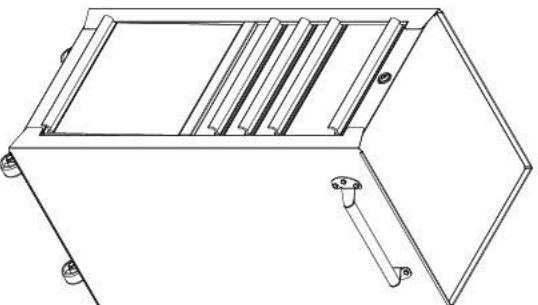


# Salon Cart Manual

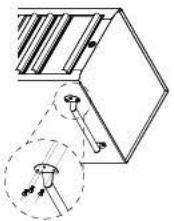


Assemble the handles first to make it easier to remove the tool chest.

## ■ FIRST

### INSTALL HANDLE

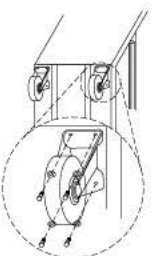
Simply position the handle over the holes and attach with the bolts provided. Tighten securely.



## ■ SECOND

### INSTALL CASTERS

Carefully lay bottom cabinet on its back with a soft mat under the back for protection. Position the two swivel casters on either the left or right side of the bottom of the cabinet. Insert the carriage bolts through washers, then through the casters and into the bottom of the cabinet. Tighten securely. Repeat for the two rigid casters on the other side of the cabinet.



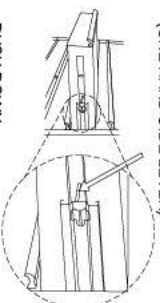
## TO REMOVE AND REPLACE DRAWERS

### TO REMOVE DRAWERS

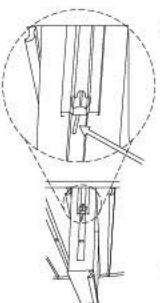
Pull drawer out so its almost fully extended.  
Push up one hand black release lever. While pulling down the other hand black release lever.

While holding the levers in the positions as instructed above, pull the drawer outward until it is released from the drawer slide.

### PUSH UP (ONE HAND SIDE LEVER)



### PUSH DOWN (THE OTHER HAND SIDE LEVER)

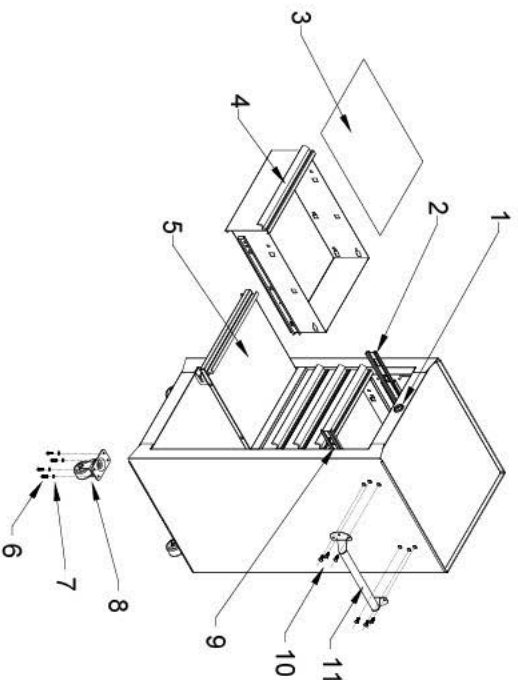


### TO REPLACE DRAWERS

Extend the drawer slides from the tool chest.

Insert the brackets on each side of the drawer into the slots in the cabinet slides, being careful that they are properly positioned.  
Once properly inserted, completely close the drawer to set the slides in their proper positions.

 "The keys are taped to the first drawer of the cabinet."



Ref#	Description	Part#	QTY
* 1	Lock(Black)	304071	1 pc
2	Slide(L)	300000	4 pcs
** 3	Drawer Liner(Black)	550186	4 pcs
4	Drawer Pull	301000	4 pcs
5	Door	103169	1 pc
6	M5x16 Hex Bolt	321031	16 pcs
7	Washer	324018	16 pcs
8	Swivel Caster	302071	4 pcs
9	Slide(R)	300001	4 pcs
10	M6x12 Hex Bolt	321051	6 pcs
11	Cabinet Handle	306071	1 pc

3.

4.