

**PB**  
**20**  
**VOLT**

*THE ORIGINAL*  
**PINK BOX**

**INSTRUCTION MANUAL**

# 20 Volt Cordless Glue Gun

*Part Number: PB20VGLG*

**IMPORTANT:** Read before using.



*Compatible Batteries: PB20VLIB2 Battery (2.0 Ah)  
& PB20VLIB4 Battery (4.0 Ah)*

[www.theoriginalpinkbox.com](http://www.theoriginalpinkbox.com)



Keep these instructions with the accompanying tool for the life of the tool. Read all of the instructions before assembling, operating or maintaining this tool.

This manual has been compiled by *The Original Pink Box* Tools describing the purpose for which this tool has been designed, and contains all the necessary information to ensure its correct and safe use. By following all the general safety instructions contained in this manual, it will ensure both tool and operator safety, together with longer life of the tool itself.

All photographs and drawings in this manual are supplied by *The Original Pink Box* Tools to help illustrate the operation of the tool.

Whilst every effort has been made to ensure the accuracy of information contained in this manual, *The Original Pink Box* Tools policy of continuous improvement determines the right to make modifications without prior warning.



*Compatible Batteries: PB20VLIB2 Battery (2.0 Ah)  
& PB20VLIB4 Battery (4.0 Ah)*

[www.theoriginalpinkbox.com](http://www.theoriginalpinkbox.com)



# CONTENTS

---

## CONTENTS

CONTENTS .....	3
IMPORTANT SAFETY INSTRUCTIONS .....	4-5
SYMBOLS .....	6
ASSEMBLY .....	7
<b>OPERATION</b>	
APPLICATIONS .....	7
INSTALLING / REMOVING BATTERY PACK .....	7
INSERTING GLUE STICKS .....	7
HELPFUL HINTS FOR USE .....	8
APPLYING HOT GLUE .....	8
FINISH GLUING .....	8
<b>MAINTENANCE</b>	
GENERAL MAINTENANCE .....	9
STORAGE .....	9
<b>TECHINICAL DESCRIPTION</b> .....	10
<b>DISPOSAL</b> .....	11

**⚠ WARNING: READ ALL INSTRUCTIONS.**  
 Failure to follow the warnings and instructions may result in electric shock, fire and/or serious injury.



## IMPORTANT SAFETY INSTRUCTIONS

---

- Know your glue gun. Read operator's manual carefully. Learn its applications and limitations, as well as the specific potential hazards related to this product. Following this rule will reduce the risk of electric shock, fire, or serious injury.
- Always wear eye protection with side shields marked to comply with ANSI Z87.1 when assembling parts, operating the product, or performing maintenance. Following this rule will reduce the risk of serious personal injury.
- Do not lay a hot glue gun on its side.
- Place a piece of paper or cardboard underneath the product to catch hot glue drips and prevent damage to the underlying surface.
- Do not touch the heated nozzle of the glue gun.
- Use the glue gun in a well-ventilated area to avoid breathing hot glue vapors.
- Do not point the nozzle of the glue gun at another person.
- Do not tilt the glue gun nozzle upwards or use the product to glue overhead items.
- Always allow hot glue to cool and dry completely before handling the item to which it is applied.
- Do not insert anything except glue sticks into this product, and insert only from the back of the glue gun.
- Do not place your hands or fingers near the nozzle of the glue gun when inserting a new glue stick.
- Never leave the glue gun unattended while it is in the on position.
- Do not apply more hot glue than is needed for your application.
- Keep work area clean and well lit. Cluttered or dark areas invite accidents.
- Do not operate battery products in explosive atmospheres, such as in the presence of flammable liquids, gases or dust. Battery products create sparks which may ignite the dust or fumes.
- Keep children and bystanders away while operating a glue gun. Distractions can cause you to lose control.
- Do not allow children to use the glue gun. It is not a toy.
- Avoid body contact with earthed or grounded surfaces such as pipes, radiators, ranges and refrigerators. There is an increased risk of electric shock if your body is earthed or grounded.
- Do not expose battery products to rain or wet conditions. Water entering a battery product will increase the risk of electric shock.
- Use battery only with charger listed. For use with 18V lithium-ion battery packs, see tool/appliance/battery pack/charger correlation supplement 987000-432.
- Stay alert, watch what you are doing and use common sense when operating a battery product. Do not use the product while you are tired or under the influence of drugs, alcohol or medication. A moment of inattention while operating battery products may result in serious personal injury.
- Prevent unintentional starting. Ensure the switch is in the off-position before connecting to power source and/or battery pack, picking up or carrying the product. Carrying battery products with your finger on the switch or energizing battery products that have the switch on invites accidents.
- Do not overreach. Keep proper footing and balance at all times. Do not use on a ladder or unstable support. This enables better control of the battery product in unexpected situations.
- Do not wear loose clothing or jewelry. Contain long hair. Loose clothes, jewelry, or long hair can contact a heated nozzle.
- Do not use the battery product if the switch does not turn it on and off. Any battery product that cannot be controlled with the switch is dangerous and must be repaired.
- Remove the battery pack from the product before making any adjustments, changing accessories, or storing the product. Such preventive safety measures reduce the risk of starting the product accidentally.
- Store idle products out of the reach of children and do not allow persons unfamiliar with the product or



## IMPORTANT SAFETY INSTRUCTIONS cont.

---

- these instructions to operate the product. Battery products are dangerous in the hands of untrained users.
- Maintain battery products. Check for misalignment or binding of moving parts, breakage of parts and any other condition that may affect the product's operation. If damaged, have the product repaired before use. Many accidents are caused by poorly maintained battery products.
  - Use the battery product, accessories and tool bit set c. in accordance with these instructions, taking into account the working conditions and the work to be performed. Use of the product for operations different from those intended could result in a hazardous situation.
  - Recharge only with the charger specified by the manufacturer. A charger that is suitable for one type of battery pack may create a risk of fire when used with another battery pack.
  - Use battery products only with specifically designated battery packs. Use of any other battery packs may create a risk of injury and fire.
  - When battery pack is not in use, keep it away from other metal objects, like paper clips, coins, keys, nails, screws or other small metal objects, that can make a connection from one terminal to another. Shorting the battery terminals together may cause burns or a fire.
  - Under abusive conditions, liquid may be ejected from the battery; avoid contact. If contact accidentally occurs, flush with water. If liquid contacts eyes, additionally seek medical help. Liquid ejected from the battery may cause irritation or burns.
  - Battery products do not have to be plugged into an electrical outlet; therefore, they are always in operating condition. Be aware of possible hazards when not using your battery product or when changing accessories. Following this rule will reduce the risk of electric shock, fire, or serious personal injury.
  - Do not place battery products or their batteries near fire or heat. This will reduce the risk of explosion and possibly injury.
  - Do not crush, drop or damage battery pack. Do not use a battery pack or charger that has been dropped or received a sharp blow. A damaged battery is subject to explosion. Properly dispose of a dropped or damaged battery immediately.
  - Batteries can explode in the presence of a source of ignition, such as a pilot light. To reduce the risk of serious personal injury, never use any cordless product in the presence of open flame. An exploded battery can propel debris and chemicals. If exposed, flush with water immediately.
  - Do not charge battery product in a damp or wet location. Following this rule will reduce the risk of electric shock.
  - For best results, your battery product should be recharged in a location where the temperature is more than 50°F but less than 100°F. To reduce the risk of serious personal injury, do not store outside or in vehicles.
  - Under extreme usage or temperature conditions, battery leakage may occur. If liquid comes in contact with your skin, wash immediately with soap and water. If liquid gets into your eyes, flush them with clean water for at least 10 minutes, then seek immediate medical attention. Following this rule will reduce the risk of serious personal injury.
  - Have your battery product serviced by a qualified repair person using only identical replacement parts. This will ensure that the safety of the battery product is maintained.
  - When servicing a battery product, use only identical replacement parts. Follow instructions in the Maintenance section of this manual. Use of unauthorized parts or failure to follow Maintenance instructions may create a risk of shock or injury.
  - Save these instructions. Refer to them frequently and use them to instruct others who may use this tool. If you loan someone this tool, loan them these instructions also



## SYMBOLS

The following signal words and meanings are intended to explain the levels of risk associated with this product.

SYMBOL	SIGNAL	MEANING
	<b>DANGER:</b>	Indicates a hazardous situation, which, if not avoided, will result in death or serious injury.
	<b>WARNING:</b>	Indicates a hazardous situation, which, if not avoided, could result in death or serious injury.
	<b>CAUTION:</b>	Indicates a hazardous situation, that, if not avoided, may result in minor or moderate injury.
	<b>NOTICE:</b>	(Without Safety Alert Symbol) Indicates information considered important, but not related to a potential injury (e.g. messages relating to property damage).

Some of the following symbols may be used on this product. Please study them and learn their meaning. Proper interpretation of these symbols will allow you to operate the product better and safer.

SYMBOL	NAME	DESIGNATION/EXPLANATION
	Safety Alert	Indicates a potential personal injury hazard.
	Read Operator's Manual	To reduce the risk of injury, user must read and understand operator's manual before using this product.
	Eye Protection	Always wear eye protection with side shields marked to comply with ANSI Z87.1.
	Wet Conditions Alert	Do not expose to rain or use in damp locations.
	Hot Surface	To reduce the risk of injury or damage, avoid contact with any hot surface.
	Recycle Symbol	This product uses lithium-ion (Li-ion) batteries. Local, state or federal laws may prohibit disposal of batteries in ordinary trash. Consult your local waste authority for information regarding available recycling and/or disposal options.
V	Volts	Voltage
min	Minutes	Time
—	Direct Current	Type or a characteristic of current



## ASSEMBLY

**⚠ WARNING:** Do not use this product if it is not completely assembled or if any parts appear to be missing or damaged. Use of a product that is not properly and completely assembled or with damaged or missing parts could result in serious personal injury.

**⚠ WARNING:** Do not attempt to modify this product or create accessories or attachments not recommended for use with this product. Any such alteration or modification is misuse and could result in a hazardous condition leading to possible serious personal injury.

## OPERATION

**⚠ WARNING:** Do not allow familiarity with this product to make you careless. Remember that a careless fraction of a second is sufficient to inflict serious injury.

**⚠ WARNING:** Always remove battery pack from the tool when you are assembling parts, making adjustments, cleaning, or when not in use. Removing battery pack will prevent accidental starting that could cause serious personal injury.

**⚠ WARNING:** Always wear eye protection with side shields marked to comply with ANSI Z87.1. Failure to do so could result in objects being thrown into your eyes and other possible serious injuries.

**⚠ WARNING:** Do not use any attachments or accessories not recommended by the manufacturer of this product. The use of attachments or accessories not recommended can result in serious personal injury.

### INSTALLING/REMOVING BATTERY PACK

See Figure 1, page 10.

- Make sure the on/off switch is in the off (O) position.
- Insert the battery pack into the product as shown.
- Make sure the latches on each side of the battery pack snap into place and that battery pack is secured in the product before beginning operation.
- Depress the latches to remove the battery pack.

For complete charging instructions, see the operator's manuals for your battery pack and charger.

### INSERTING GLUE STICKS

See Figure 2, page 10.

**Use standard 0.45 inch (11mm) diameter glue sticks in this glue gun.**

**⚠ WARNING:** To reduce the risk of injury, the glue gun should be considered to be HOT whenever the LED on the unit is illuminated. Following this rule will reduce the risk of burns, fire, or serious personal injury.

### APPLICATIONS

You may use this product for the purposes listed below:

- Applying hot glue adhesive

**⚠ WARNING:** Battery tools are always in operating condition. Place the switch in the off (O) position and remove the battery pack when the product is not in use or when carrying at your side.

The LED indicator will light up when a charged battery pack is installed and the switch is turned to the on (I) position.

- Make sure the on/off switch is in the off (O) position.
- Insert a glue stick through the opening at the back of the glue gun. Guide the glue stick into the glue chamber until it will go no further.



## OPERATION cont.

---

- Place a piece of paper underneath the glue gun to catch any drips while the glue gun is heating.
- Install the battery pack.
- Set the glue gun upright on the paper and turn the on/off switch to the on (I) position.

**NOTE:** Different types of glue sticks will heat to working temperature at different rates. Always test on a scrap piece to make sure the glue is at optimum temperature.

### HELPFUL HINTS FOR USE

- Before applying glue to a surface or workpiece, use a scrap piece of paper or material that is similar to your workpiece as a test.
- Use caution when applying hot glue to thin or porous material. The underlying surface could be damaged or glue could adhere to the surface and be difficult to remove.
- Do not force the trigger when applying hot glue. This could damage the glue gun. Use a test piece of material to make sure the glue has melted enough to flow without forcing.
- Apply only as much glue as needed for your application.
- When gluing two objects together, do not pick up the object to which hot glue has been applied. Instead, pick up the other object and join it to the object to which you have applied hot glue.
- Do not use your fingers to press down on an object to which hot glue has just been applied. This can cause hot glue to escape from the edges or heat up the bonding surface and possibly cause burns or damage to surrounding objects.
- Allow glue to dry completely before moving your work to ensure proper adhesion and reduce the risk of burns.
- If applying glue to very small objects, use tweezers or tongs to avoid getting the nozzle close to your fingers.

### APPLYING HOT GLUE

See Figure 3, page 10.

- Install the battery pack and turn the on/off switch to the on (I) position.
- Allow time for the glue to melt so that it flows freely from the nozzle.
- Holding the glue gun firmly, place the nozzle close to the surface where glue will be applied.

**NOTE:** Holding the glue gun too far from the intended surface may result in applying glue to a surface other than your workpiece or may result in “strings” of glue between your work and the nozzle.

- Pull the trigger until glue flows from the nozzle. Do not over-apply.

**NOTE:** For better control and consistency of application, it is advisable to use two fingers to pull the trigger.

- When the desired amount of glue has been applied, release the trigger. Tilt the nozzle slightly to the side and carefully pull the nozzle away from the object. This helps avoid strings of glue clinging to the work.

**NOTE:** The glue gun will stop dispensing glue when the glue stick in the chamber is almost used up. To refill the chamber, set the glue gun down and insert another glue stick.

### FINISHING GLUING

- Always turn the on/off switch to the off (O) position when you are finished using the glue gun. Set the glue gun on a protective surface, such as a piece of paper, while the product cools to catch possible glue drips.
- Allow the glue stick and glue gun nozzle to completely cool before removing the battery pack.





## MAINTENANCE

---

**⚠ WARNING:** When servicing, use only identical replacement parts. Use of any other parts could create a hazard or cause product damage.

### GENERAL MAINTENANCE

Avoid using solvents when cleaning plastic parts. Most plastics are susceptible to damage from various types of commercial solvents and may be damaged by their use. Use clean cloths to remove dirt, dust, oil, grease, etc.

### STORAGE

Allow the glue gun to cool completely before storing. Turn the switch to the off (O) position and remove the battery pack.

**⚠ WARNING:** Always remove the battery pack before storage to ensure the product is off. Allow a minimum of 30 minutes of cool-down time before storage. Storing a glue gun with a hot nozzle can cause serious burns and/or ignite combustible objects.

To help prevent drips and clogs the next time the glue gun is used, remove dried glue from the nozzle area.

## TECHNICAL DESCRIPTION



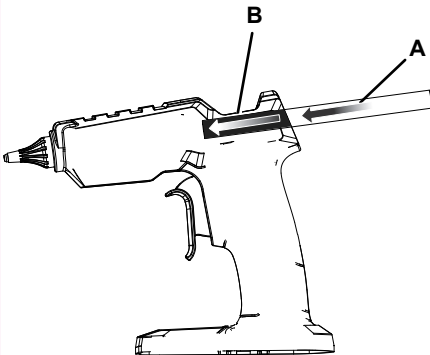
**Fig. 1**

- A - Switch trigger
- B - On/off switch
- C - Standard Nozzle
- D - Glue stick chamber
- E - Glue stick
- F - LED on/off indicator
- G - Battery pack (*not included*)
- H - Depress latches to release battery pack



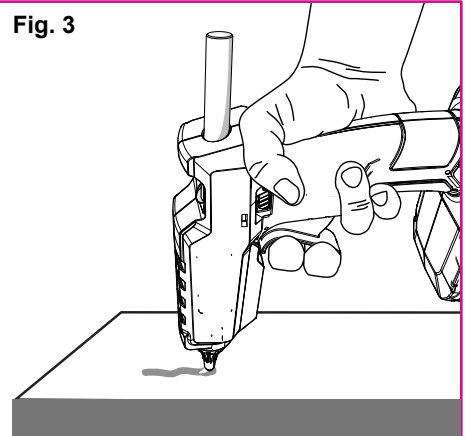
Compatible Batteries:  
PB20VLB2 Battery (2.0 Ah)  
& PB20VLB4 Battery (4.0 Ah)

**Fig. 2**



- A - Glue stick
- B - Glue stick chamber

**Fig. 3**



USE A PIECE OF PAPER OR OTHER MATERIAL TO PROTECT UNDERLYING SURFACE



## DISPOSAL

---

### DISPOSAL

- At the end of the machine's working life, or when it can no longer be repaired, ensure that it is disposed of according to national regulations.
- Contact your local authority for details of collection schemes in your area.

In all circumstances:

- Do not dispose of power tools with domestic waste.
- Do not incinerate.
- Do not dispose of WEEE\* as unsorted municipal waste.



**Li-ion**

\* Waste Electrical & Electronic Equipment.

### BATTERY PACK DISPOSAL INFORMATION

#### Warning!

- Do not put battery pack in fire or mutilate – cells may burst or release toxic materials.
- Do not short circuit cells, may cause burns.
- The battery pack must be removed from the appliance before it is scrapped.
- The battery pack is to be disposed of safely.
- Do not mutilate batteries, corrosive electrolyte will be released.
- Do not dispose of batteries or cells in a charged condition.

Expired batteries must be recycled/disposed of in accordance with the appropriate regulation or legislation. They should be returned to your local warranty agent/stockist.



[www.theoriginalpinkbox.com](http://www.theoriginalpinkbox.com)